



Undermount Model Double Bowl Sink

RCFU3118, RCFU53118U and RCFU203118

Specifications

FEATURES:

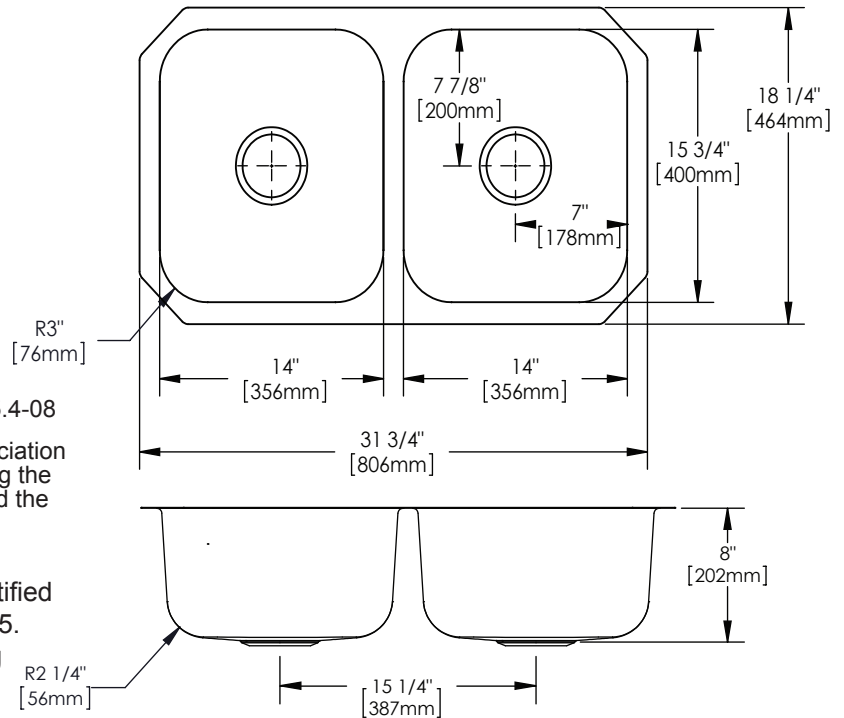
- 18 (1.2mm) gauge nickel-bearing stainless steel
- 8" (203mm) deep
- Soft Satin finish
- 3-1/2" (89mm) drain opening
- Sound dampening pad with spray undercoating
- Minimum cabinet size: 36" (914mm)
- Sink complies with ASME A112.19.3-2008 / CSA B45.4-08



These sinks are listed by the International Association of Plumbing and Mechanical Officials as meeting the requirements of the Uniform Plumbing Code and the National Plumbing Code of Canada.

RCFU53118U sink is nested 5 units in a UPS certified shipping box and must be ordered in multiples of 5.

RCFU203118 sink is nested 20 units per shipping container (four 5 packs) and must be ordered in multiples of 20.

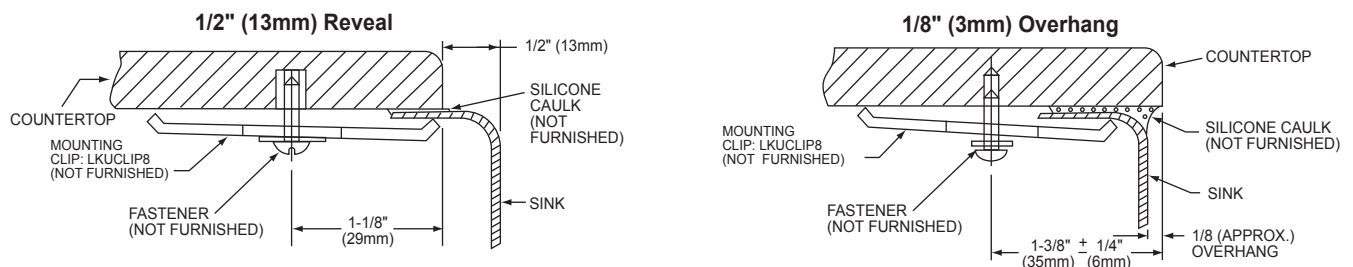


OPTIONAL ACCESSORIES:

- Bottom Grid: GBG1415SS
- Drain: S1
- Mounting Clip: RVUCLIP8 (2 packages required)
- Template: 64180281



Electronic Dual Template Mounting Option (Download DXF File from www.reveresink.com)



NOTE: THIS UNDERMOUNT SINK IS DESIGNED TO MOUNT TO SOLID SURFACE (NON-LAMINATE) COUNTERTOP ONLY.

In keeping with our policy of continuing product improvement, Revere reserves the right to change product specifications without notice.

This specification describes a Revere product with design, quality and functional benefits to the user. When making a comparison of other producers' offerings, be certain these features are not overlooked.

Revere • 2222 Camden Ct. • Oak Brook, IL 60523 • reveresink.com • Tel: (800) 225-8585 • Fax: (630) 645-4447



Undermount Model Double Bowl Sink

RCFU3118, RCFU53118U
and RCFU203118

Packages

SINK PACKAGE:

RCFU3118DF includes: (1) Sink - RCFU3118, (1) Faucet - LK1501CR, and (2) Drains.

RCFU3118DFBG includes: (1) Sink - RCFU3118, (1) Faucet - LK5000CR, (1) Bottom Grid - GBG1415SS, and (2) Drains.

FAUCET FEATURES:

LK1501CR

- Chrome finished, single-lever kitchen faucet with side spray.
- Flexible supply tubes with 1/2" (13mm) male IPS adapters.
- Two 1 3/8" diameter faucet holes required.

LK5000CR

- Chrome finished, single-lever kitchen faucet with pull-down spray.
- Braided stainless steel supply lines.
- Three 1 3/8" diameter faucet holes required.

Max counter thickness: 2.5" (63mm).

Faucets comply with: ADA, ANSI/NSF61, ASME A112.18.1/CSA B125.1, cUPC, CA AB1953

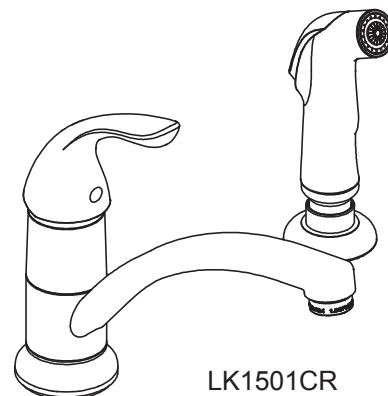
Faucet flow rate: 1.5 GPM/5.7 L/min at 60 P.S.I.G.

BOTTOM GRID FEATURES:

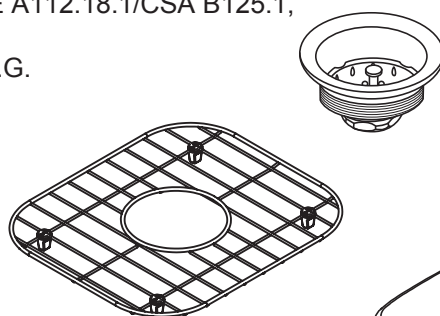
- Nickel-bearing stainless steel
- Bright finish
- Dishwasher safe

DRAIN FEATURES:

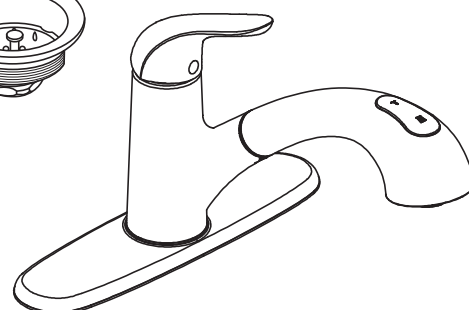
- Stainless steel body and strainer.
- Fits 3-1/2" (89mm) opening.



LK1501CR



GBG1415SS



LK5000CR