



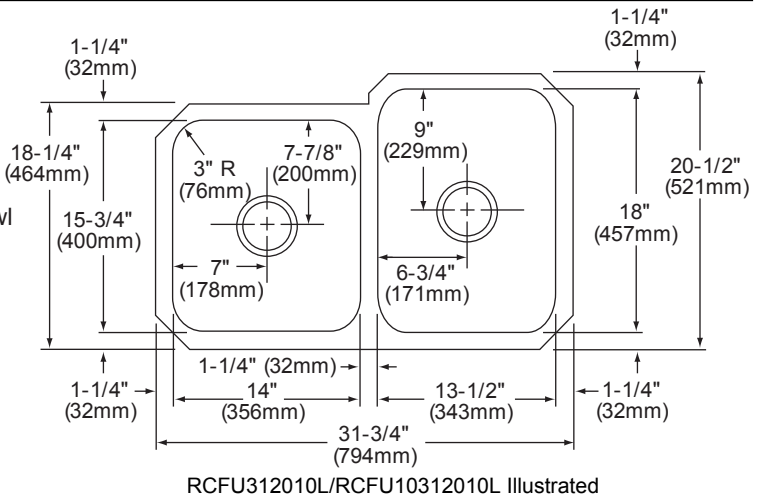
# Undermount Model Double Bowl Sink

## RCFU312010L/R, RCFU5312010LU/RU and RCFU20312010L/R

### Specifications

#### FEATURES:

- 18 (1.2mm) gauge nickel-bearing stainless steel
- 8" (203mm) deep small bowl, 10" (254mm) deep large bowl
- Soft Satin finish
- 3-1/2" (89mm) drain opening
- Sound dampening pad with full spray undercoating
- Suffix L (left) or R (right) denotes location of the small bowl
- Minimum cabinet size: 36" (914mm)



Sink complies with ASME A112.19.3/ CSA B45.4

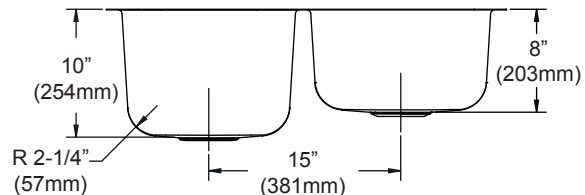
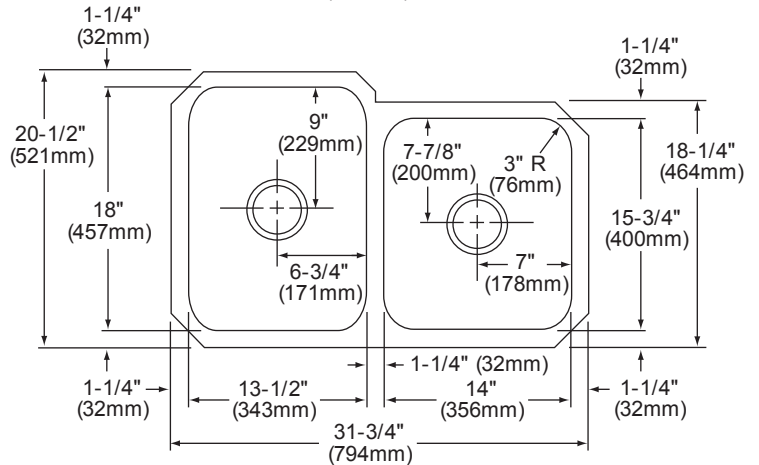
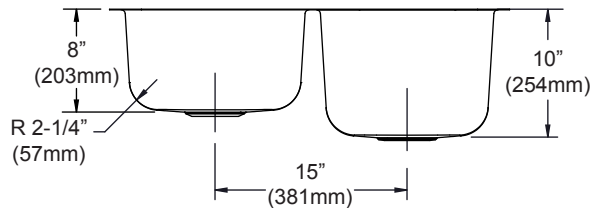
 Sinks are listed by IAPMO® as meeting the applicable requirements of the Uniform Plumbing Code®, International Plumbing Code®, and National Plumbing Code of Canada.

**RCFU5312010L/RCFU5312010R** sink is nested 5 units in a UPS certified shipping box and must be ordered in multiples of 5.

**RCFU20312010L/RCFU20312010R** sink is nested 20 units per shipping container (four 5 packs) and must be ordered in multiples of 20.

#### OPTIONAL ACCESSORIES:

- Bottom Grid: GBG1318SS (large bowl), GBG1415SS (small bowl)
- Drain: S1
- Mounting Clip: RVUCLIP8 (2 packages required)
- Template: 1000001478 (for L models)  
1000001477 (for R models)



In keeping with our policy of continuing product improvement, Revere reserves the right to change product specifications without notice. Please visit [Reveresinks.com](http://Reveresinks.com) for the most current version of Revere product specification sheets.

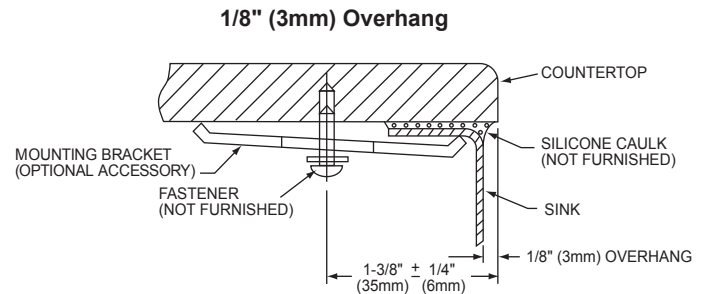
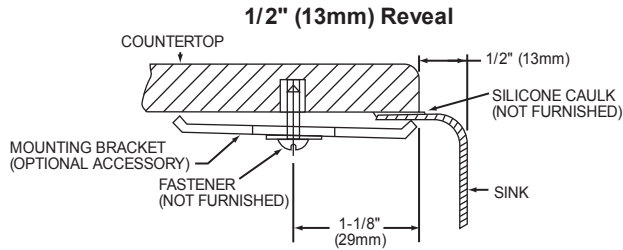
This specification describes a Revere product with design, quality, and functional benefits to the user. When making a comparison of other producers' offerings, be certain these features are not overlooked.



# Undermount Model Double Bowl Sink

## RCFU312010L/R, RCFU5312010LU/RU and RCFU20312010L/R

Electronic Dual Template Mounting Option  
(Download DXF File from [www.reveresink.com](http://www.reveresink.com))



NOTE: THIS UNDERMOUNT SINK IS DESIGNED TO MOUNT TO SOLID SURFACE (NON-LAMINATE) COUNTERTOP ONLY.

## Packages

### SINK PACKAGE:

RCFU312010LDF includes: (1) Sink - RCFU312010L, (1) Faucet - LK1501CR, and (2) Drains.

RCFU312010RDF includes: (1) Sink - RCFU312010R, (1) Faucet - LK1501CR, and (2) Drains.

RCFU312010LDFBG includes: (1) Sink - RCFU312010L, (1) Faucet - LK5000CR, (1) Bottom Grid - GBG1318SS, and (2) Drains.

RCFU312010RDFBG includes: (1) Sink - RCFU312010R, (1) Faucet - LK5000CR, (1) Bottom Grid - GBG1318SS, and (2) Drains.

### FAUCET FEATURES:

#### LK1501CR

- Chrome finished, single-lever kitchen faucet with side spray.
- Flexible supply tubes with 1/2" (13mm) male IPS adapters.
- Two 1 3/8" diameter faucet holes required.

#### LK5000CR

- Chrome finished, single-lever kitchen faucet with pull-down spray.
- Braided stainless steel supply lines.
- Three 1 3/8" diameter faucet holes required.

Max counter thickness: 2.5" (63mm).

Faucets comply with: ADA, ANSI/NSF61, ASME A112.18.1/CSA B125.1, cUPC, CA AB1953

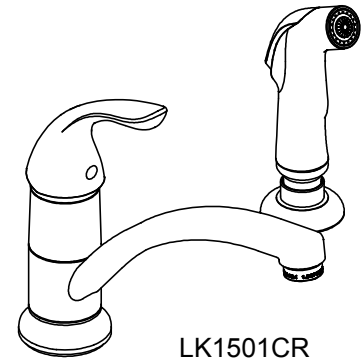
Faucet flow rate: 1.5 GPM/5.7 L/min at 60 P.S.I.G.

### BOTTOM GRID FEATURES:

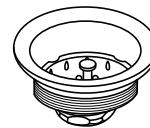
- Nickel-bearing stainless steel
- Bright finish
- Dishwasher safe

### DRAIN FEATURES:

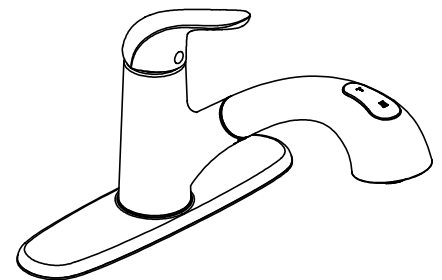
- Stainless steel body and strainer.
- Fits 3-1/2" (89mm) opening.



LK1501CR



GBG1318SS



LK5000CR

In keeping with our policy of continuing product improvement, Revere reserves the right to change product specifications without notice. Please visit [Reveresinks.com](http://Reveresinks.com) for the most current version of Revere product specification sheets.

This specification describes a Revere product with design, quality, and functional benefits to the user. When making a comparison of other producers' offerings, be certain these features are not overlooked.